

Trent 35 P

Multi-Purpose Subwoofer



12" transmission line subwoofer

35Hz low frequency response

Fast impulse response

High SPL in compact and mobile form factor

Stackable with pole mount

Ready for boundary integration

Configuration

Frequency response (± 3 dB)

Max. SPL (cont./ peak)(calc.)

Nominal dispersion

Drivers

Nominal impedance

Power handling (cont./peak)

Connections

Dimensions (WxHxD) mm

Weight

Active 1-way

35 Hz - 80 Hz

123 dB / 127 dB

Omn

1x 12"

8 Ω

500 W / 2000 W

2x Neutrik SpeakON 4-pole

677 x 363 x 495 mm

26.7 x 14.3 x 19.5 in

24.0 kg / 52.9 lbs

Compact and multi-purpose

Trent 35 is designed to provide very high output relative to size, while retaining low frequency response, low distortion and good impulse response. The compact form factor makes it convenient for mobile applications and easy to integrate in installations where space is precious.

Defined low-end

The transmission line loading design provides an effortless low end in a small enclosure. The sound signature of this transmission line is slightly softer than our bass horns overall, but quite familiar sounding in its' bottom octave. A modern 12" driver with a strong motor system, low moving mass, rigid cone and extended excursion provides a musical performance usable in a wide range of scenarios. The transmission line design provides more output and

improved impulse response than an equal volume bass reflex box with the same woofer and a more linear behavior from low to high sound pressure.

Broad application areas

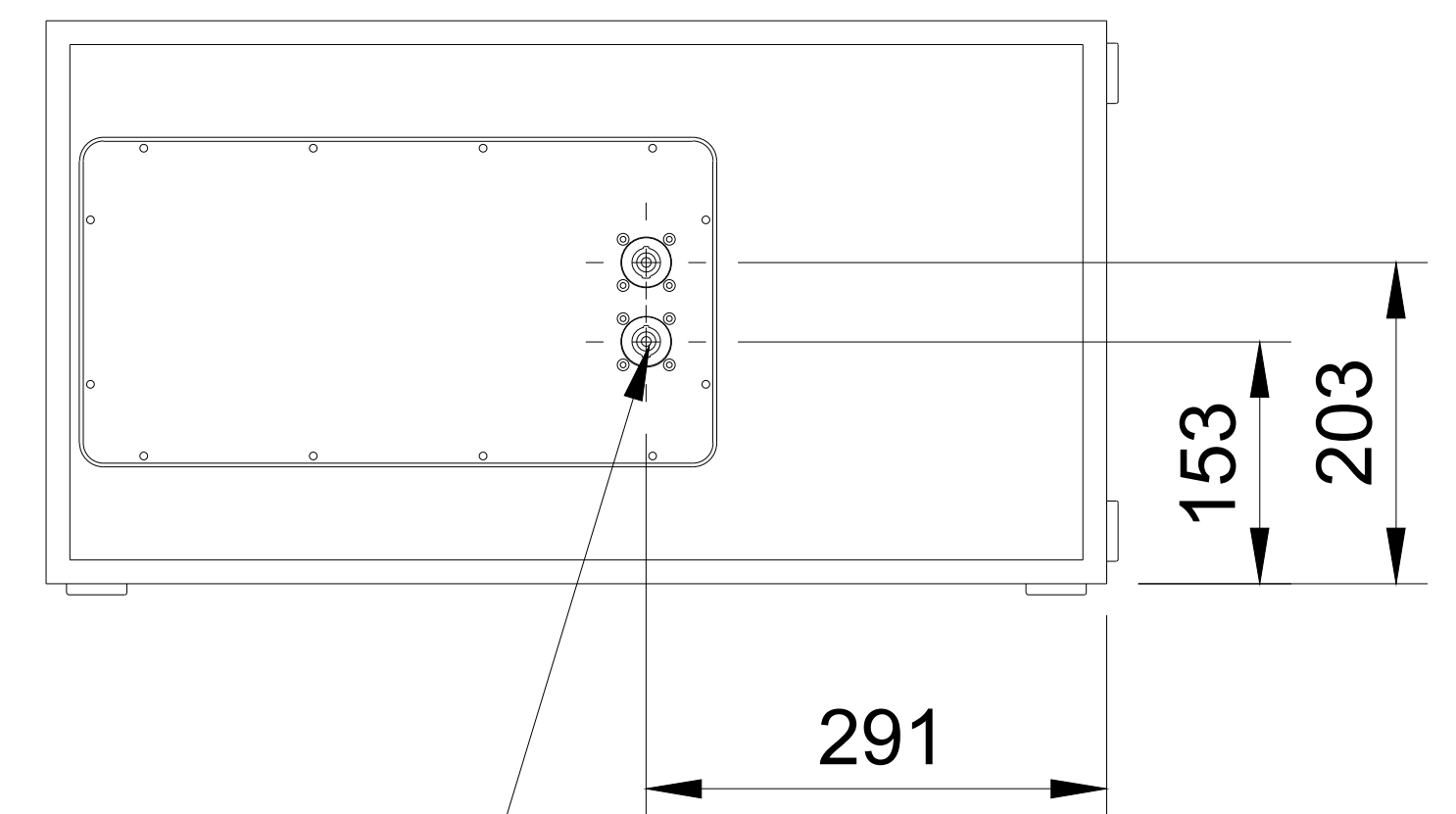
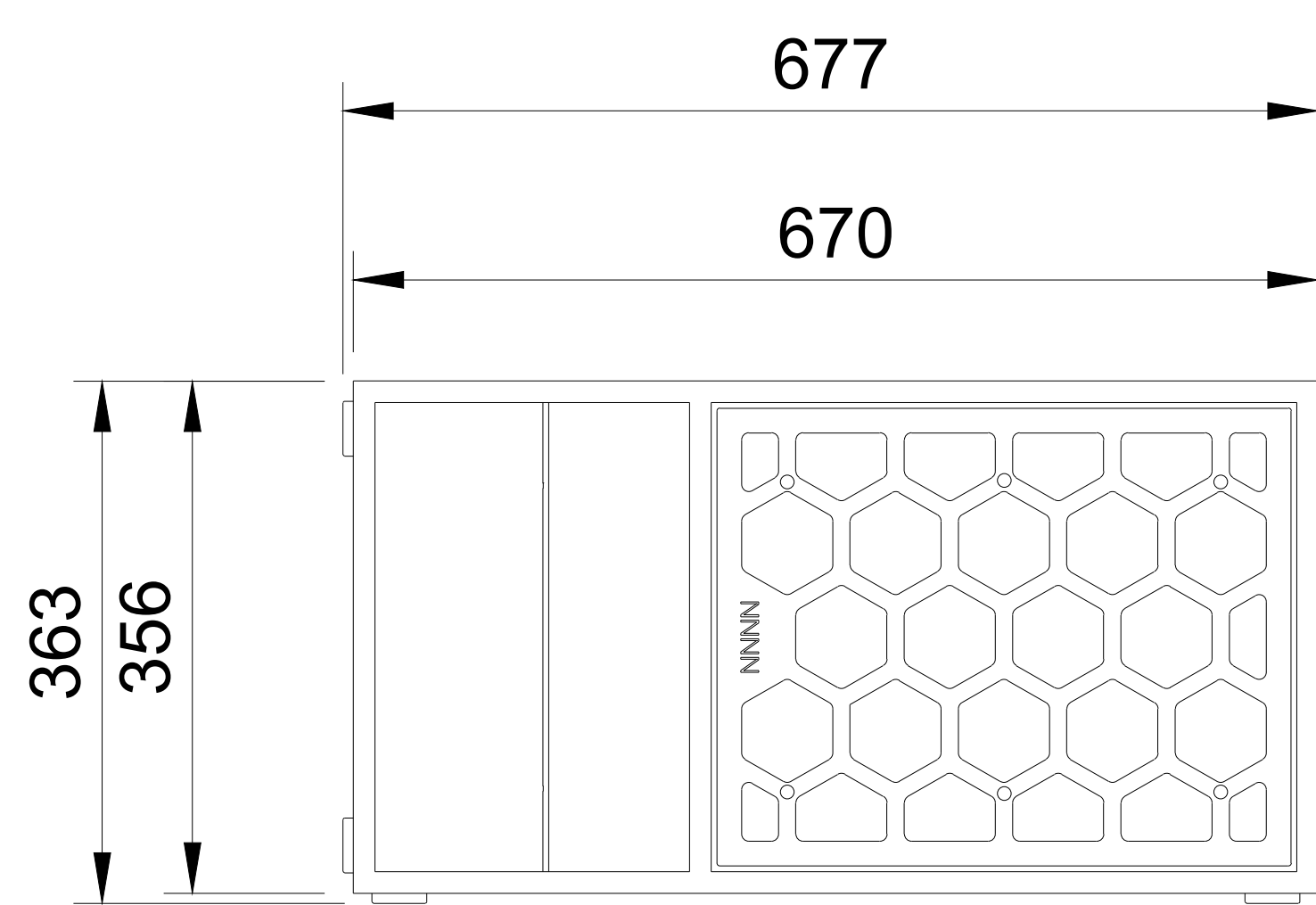
Trent 35 excels for mobile use and installations where space is precious. Features for stacking the subwoofer enable very powerful setups, as the transmission line design will increase the efficiency of each unit in the stack as well as extending the frequency response and output level below 35Hz. The pole mount combined with the compact form factor of Trent 35, enables a very high output system with minimal footprint and easy handling. The acoustic design of the Trent 35 makes it ideal for boundary integration, and it's ideal for integrations below venue stages.

NNNN

www.nnnn.no

Trent 35 P

Multi-Purpose Subwoofer



2x Speakon NLT4MP

