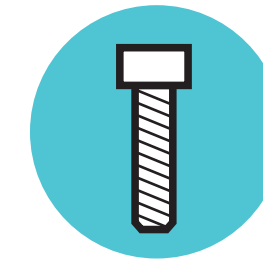
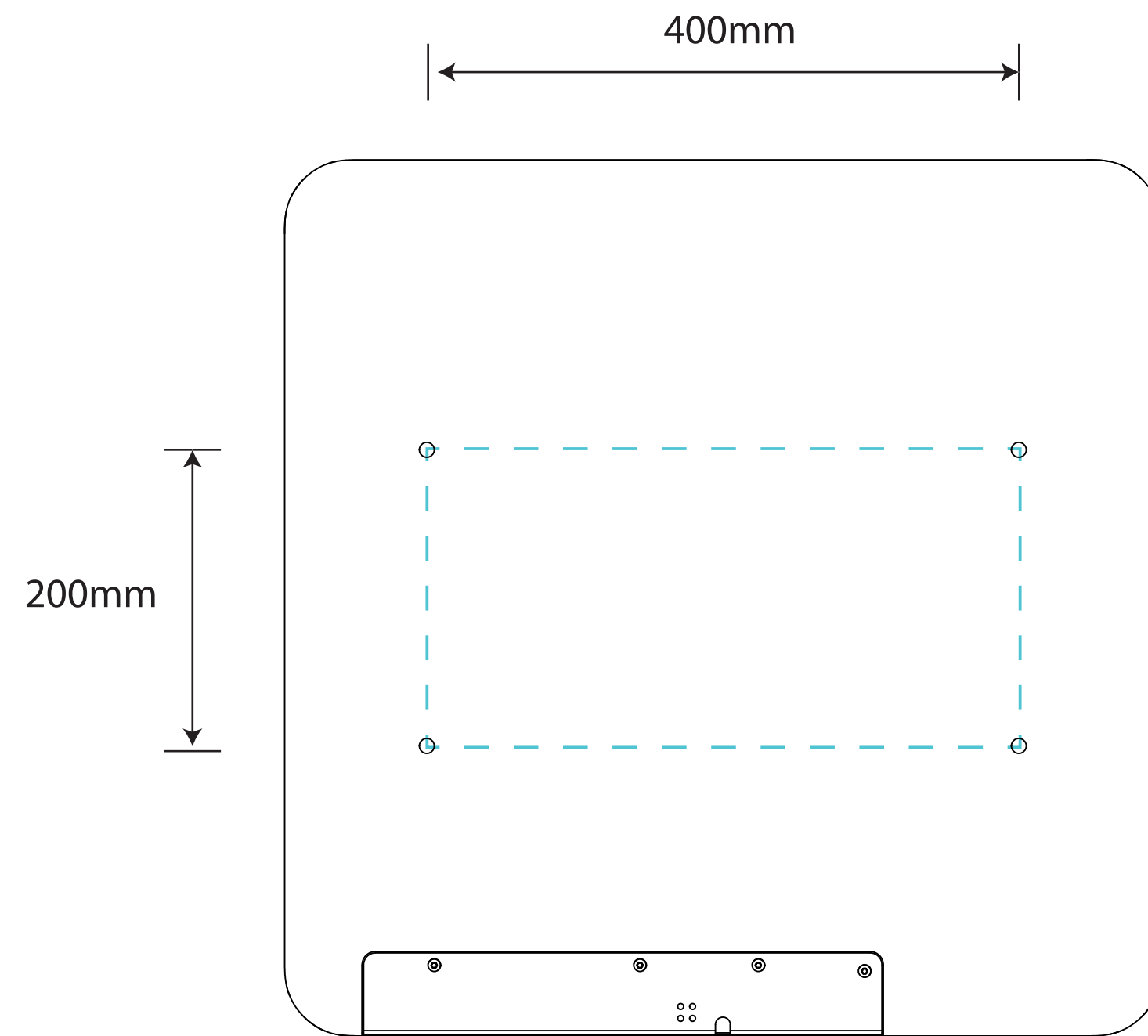


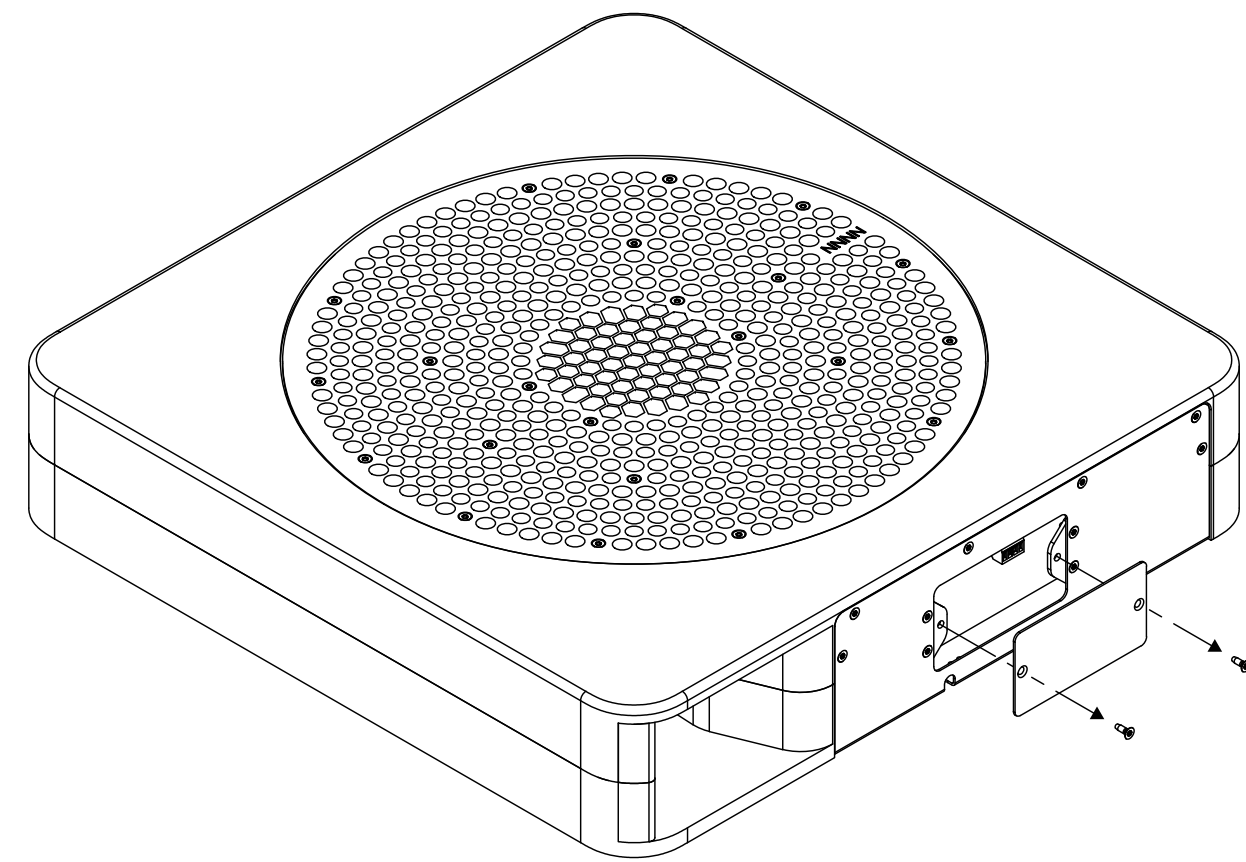
Comium 30 Passive

Mounting VESA 400×200mm



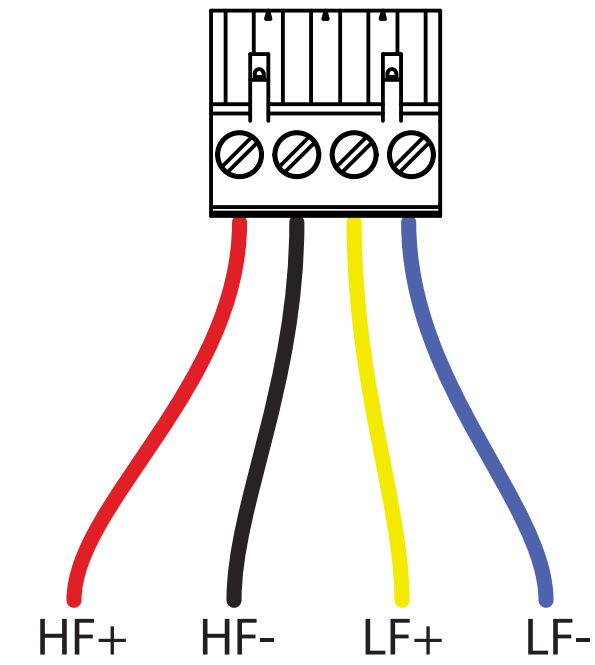
4× M6 Machine screws
Max thread insert depth 11mm

Comium 30 Passive Installation



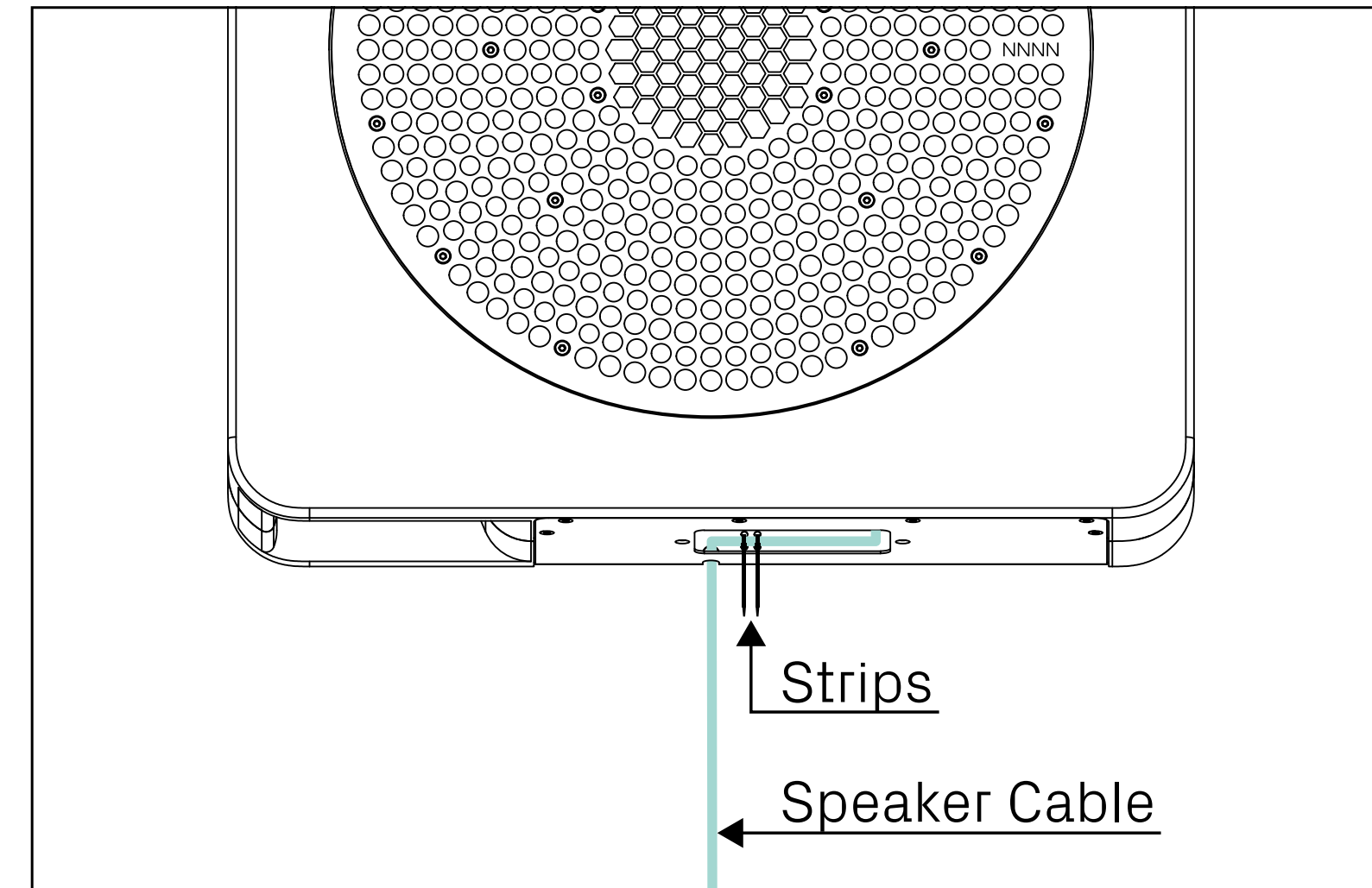
To access connector, remove the two TX20 screws showed in the figure.

Remove the small cover to access to the Euroblock Connector.



Terminal Block

PHOENIX CONTACT
4-Way
5.08mm pitch



Thread the cable through the cable slot in the back cover of the Comium 30. Secure the cable with the Zip Ties. When the cable is in place, attach the Euro Block connector to the cable as in the figure above.